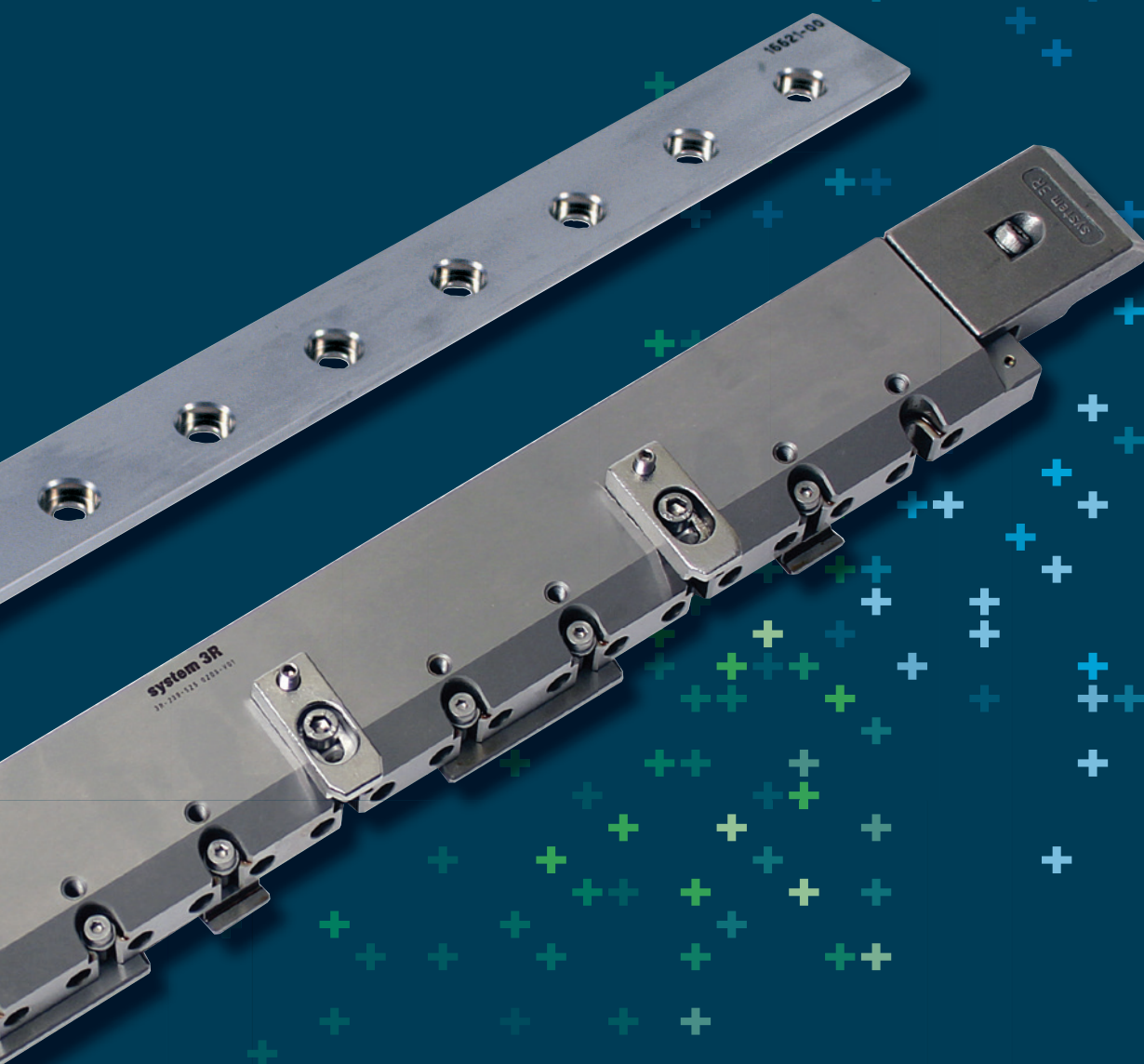


Fanuc + System 3R tooling

# Ledger for Reference elements and 3Rulers



This ledger is only to guide suitable length of reference elements and 3Ruler for specific machine model. Contents for 3Rulers and/or reference elements, see also TPS-sheets covering the range of 3R-200.yyJ-x, 3R-239-xxx and accessories.

## Fanuc

Model	Tooling configuration for X-axis		Tooling configuration for Y-axis		MIC-xxxx	
	Ref. element	3R-239-xxx	Ref. element	3R-239-xxx		
alpha C400iA	3R-200.2J-1	415	3R-200.47J-2	N.a.	2822	Page: 3
alpha C400iB	3R-200.3J-1	445	3R-200.47J-2	N.a.	2823	Page: 4
alpha C400iC	3R-200.3J-1	445	3R-200.47J-2	N.a.	2823	Page: 4
alpha C600iA	3R-200.4J-2	645.86	3R-200.3J-2	445	2824	Page: 5
alpha C600iB	3R-200.4J-2	645.86	3R-200.3J-2	445	2825	Page: 6
alpha C600iC	3R-200.4J-2	645.86	3R-200.3J-2	445	2825	Page: 6
alpha C800iB	3R-200.3J-2	845.86	3R-200.39J-2	645.86	2826	Page: 7

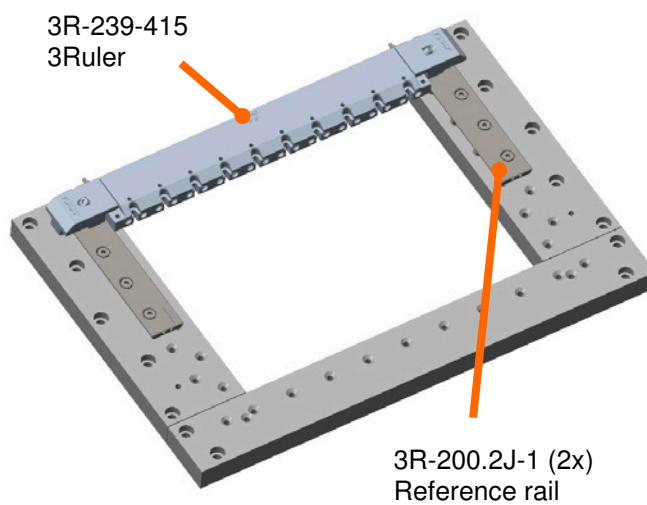
# System 3R

## MIC – Machine Interface Configuration

November 11, 2018

Subject to modifications  
MIC-2822

### Fanuc – alpha C400iA



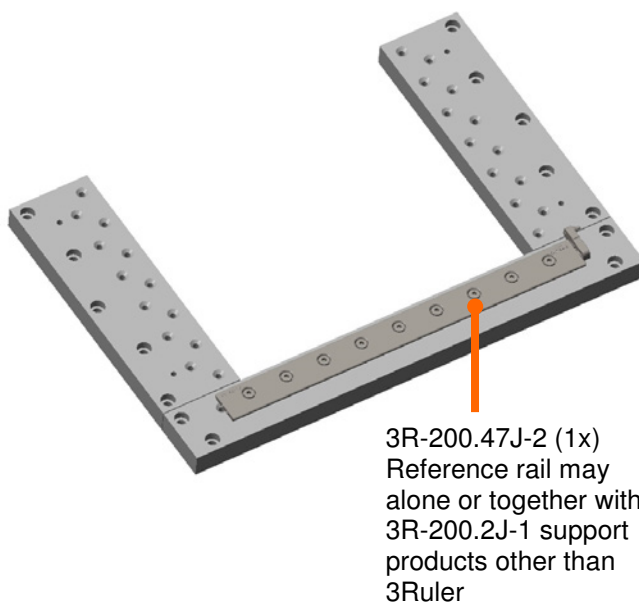
Machine table without tooling

Working area:  
X: 370 mm  
Y: 270 mm

#### Horizontal configuration

This configuration display one 3Ruler, but two cross bars may be used.

Working area:  
X: 370 mm  
Y: 253 mm



#### Vertical configuration

This U-shaped machine-table, does not support 3Ruler.

Working area:  
X: 370 mm  
Y: 270 mm

See also TPS-sheet "3R-239-xxx" covering 3Ruler and recommended accessories.

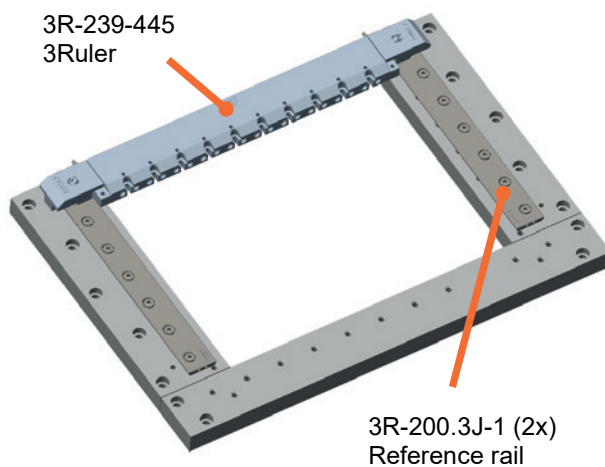
Note: The reference rail also enables the use of other products like: 3R-218-S, 3R-243.2-1 or 3R-272HP.

## MIC – Machine Interface Configuration

February 5, 2021

Subject to modifications  
MIC-2823

### Fanuc – alpha C400iB, C400iC



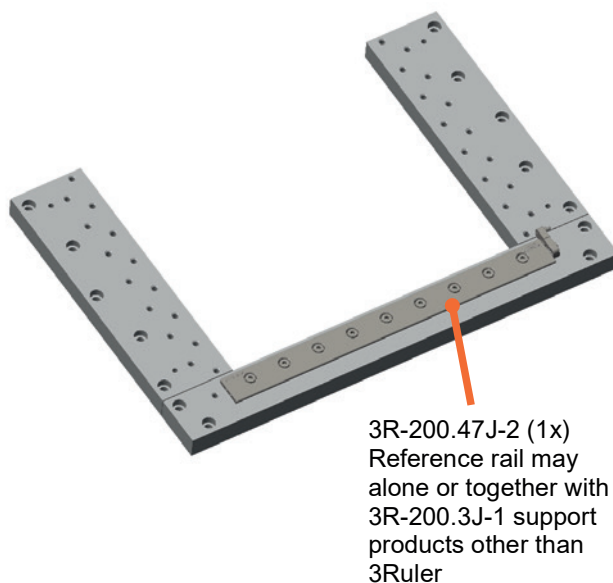
Machine table without tooling

Working area:  
X: 400 mm  
Y: 300 mm

#### Horizontal configuration

This configuration display one 3Ruler, but two cross bars may be used.

Working area:  
X: 400 mm  
Y: 287 mm



#### Vertical configuration

This U-shaped machine-table, does not support 3Ruler.

Working area:  
X: 400 mm  
Y: 300 mm

See also TPS-sheet "3R-239-xxx" covering 3Ruler and recommended accessories.

Note: The reference rail also enables the use of other products like: 3R-218-S, 3R-243.2-1 or 3R-272HP.

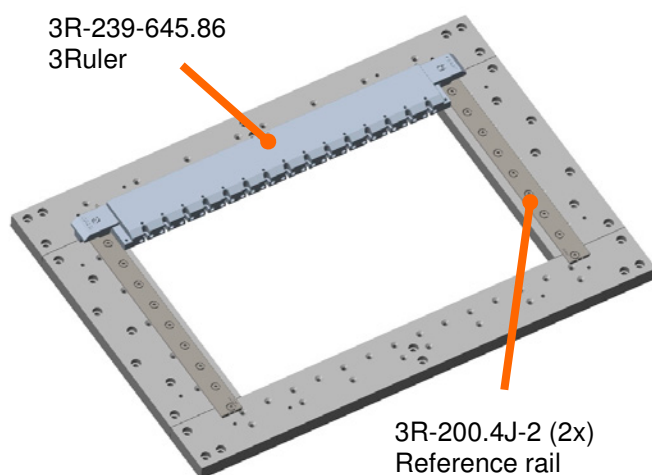
# System 3R

## MIC – Machine Interface Configuration

November 11, 2018

Subject to modifications  
MIC-2824

### Fanuc – alpha C600iA



Machine table without tooling

Working area:

X: 600 mm

Y: 400 mm

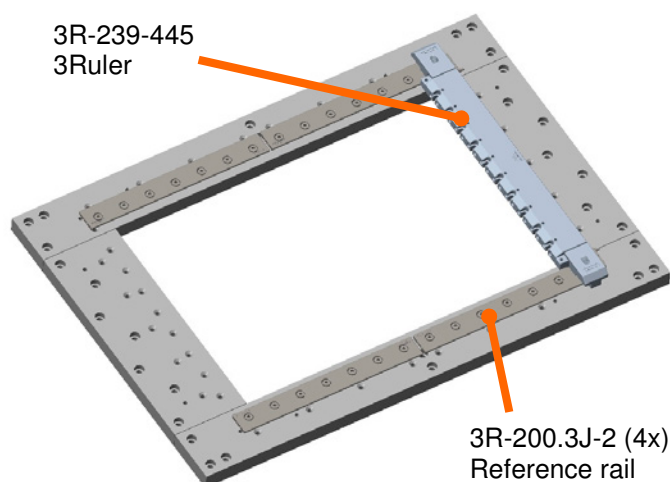
#### Horizontal configuration

This configuration display one 3Ruler, but two cross bars may be used.

Working area:

X: 600 mm

Y: 349 mm



#### Vertical configuration

This U-shaped machine-table, does not support 3Ruler.

Working area:

X: 587 mm

Y: 400 mm

See also TPS-sheet "3R-239-xxx" covering 3Ruler and recommended accessories.

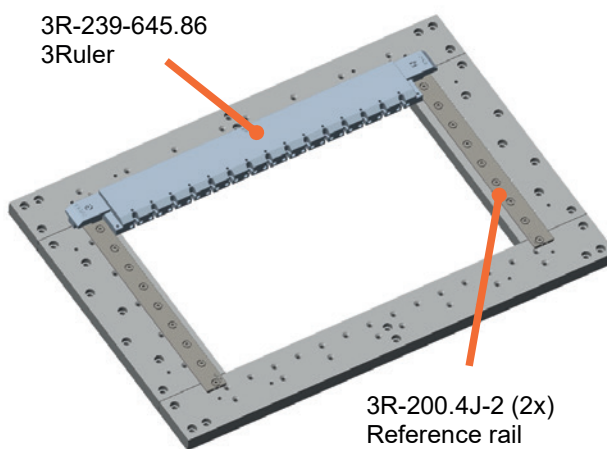
Note: The reference rail also enables the use of other products like: 3R-218-S, 3R-243.2-1 or 3R-272HP.

## MIC – Machine Interface Configuration

February 5, 2021

Subject to modifications  
MIC-2825

### Fanuc – alpha C600iB, C600iC



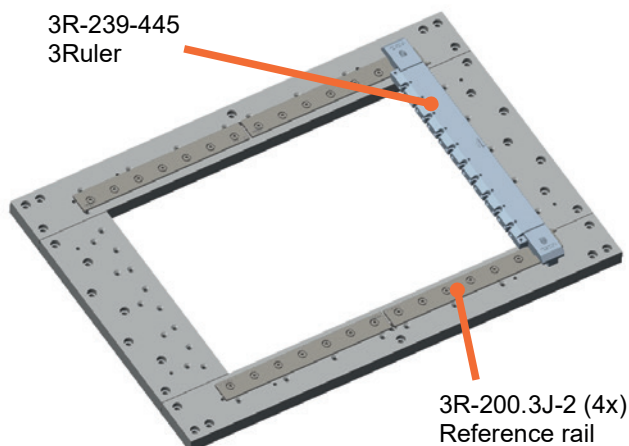
Machine table without tooling

Working area:  
X: 600 mm  
Y: 400 mm

#### Horizontal configuration

This configuration display one 3Ruler, but two cross bars may be used.

Working area:  
X: 600 mm  
Y: 349 mm



#### Vertical configuration

This configuration display one 3Ruler, but two cross bars may be used.

Working area:  
X: 587 mm  
Y: 400 mm

See also TPS-sheet "3R-239-xxx" covering 3Ruler and recommended accessories.

Note: The reference rail also enables the use of other products like: 3R-218-S, 3R-243.2-1 or 3R-272HP.

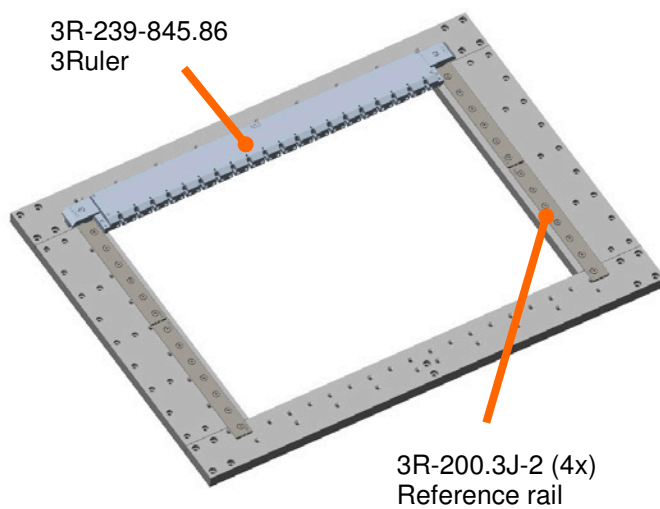
# System 3R

## MIC – Machine Interface Configuration

November 11, 2018

Subject to modifications  
MIC-2826

### Fanuc – alpha C800iB



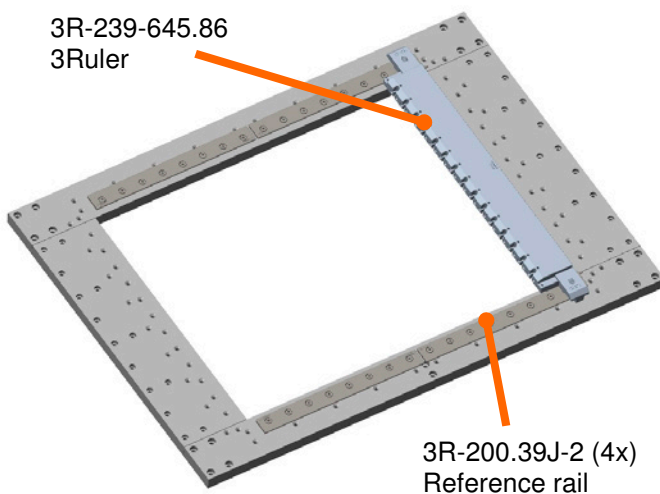
Machine table without tooling

Working area:  
X: 800 mm  
Y: 600 mm

#### Horizontal configuration

This configuration display one 3Ruler, but two cross bars may be used.

Working area:  
X: 800 mm  
Y: 561 mm



#### Vertical configuration

This configuration display one 3Ruler, but two cross bars may be used.

Working area:  
X: 711 mm  
Y: 600 mm

See also TPS-sheet “3R-239-xxx” covering 3Ruler and recommended accessories.

Note: The reference rail also enables the use of other products like: 3R-218-S, 3R-243.2-1 or 3R-272HP.

